

台南縣立新東國民中學 99 學年度上學期 一年級 英文科 第二次段考試題






*請將答案寫在「答案卷」上，考試結束後將「答案卷」交給監考老師。(本試題共 5 頁)

第一部分、聽力測驗(20%)

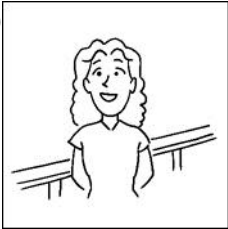



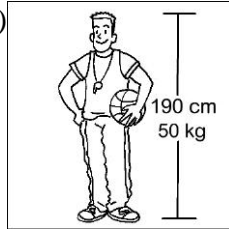
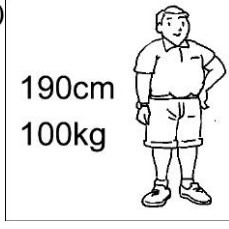

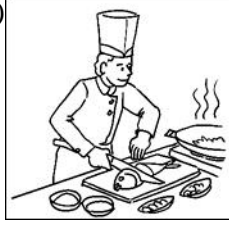
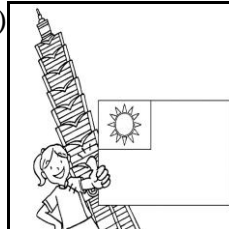

一、聽CD，選出所聽到的字詞。(5%，每題一分)

1. _____ (A) tall (B) why (C) beautiful	2. _____ (A) from (B) young (C) really	3. _____ (A) cellphone (B) telephone (C) phone	4. _____ (A) singer (B) song (C) woman	5. _____ (A) card (B) tomorrow (C) call
--	---	---	---	--

二、聽CD，若符合圖意或表格內容的選 A，否則選 B。(5%，每題一分)

1. _____ (A) True (B) False 	2. _____ (A) True (B) False 	3. _____ (A) True (B) False 	4. _____ (A) True (B) False 	5. _____ (A) True (B) False 
---	---	--	---	---

三、聽CD，配合圖片選出最適當的答案。(5%，每題一分)

1. _____ (A)  (B) 	2. _____ (A)  (B) 	3. _____ (A)  (B) 	4. _____ (A)  (B) 	5. _____ (A)  (B) 
--	--	--	--	--

四、聽CD，選出最適當的答案。(5%，每題一分)

1. _____ (A) My name is Peter. (B) I am ten, too. (C) I am from Taiwan.	2. _____ (A) Oh! Thank you. (B) I'm sorry! (C) See you tomorrow.	3. _____ (A) No, he is thin. (B) No, he is short. (C) My father is a tall man.	4. _____ (A) Let's not take the garbage. (B) Oops, I am sorry. (C) Don't take it with you.	5. _____ (A) OK. Let's go. (B) The band is great. (C) How special!
--	---	---	---	---

第二部分、語文測驗(80%)

一、單字測驗。(15%，1~5 題，每題兩分；6~10 題，每題一分)

- 美麗的
- 忘記
- 垃圾
- 手機
- 帶來
- Those old w n are Takuya Kimura's (木村拓哉) big fans.
- Jay Chou is a g t singer. Students like his songs very much.
- Pearl milk tea (珍奶) is r y good to drink. It's my favorite tea.
- Please t n on the air conditioner (冷氣機) because it's hot here.
- A: Do you love your mother? B: Of c e. She is always nice to me.

二、文法選擇。(15%，每題一分)

1. Mike is tall, _____.

- (A) and Ruth does, too (B) but Ruth is tall (C) and Ruth is short (D) but Ruth isn't

2. The notebook is _____ young girls.

- (A) on (B) in (C) for (D) to

3. _____ leave your money on the table.

- (A) Not (B) Don't (C) No (D) Note

4. A: How old are your father and mother? B: _____.

- (A) We are thirty. (B) He is thirty old. (C) They are thirty years. (D) I don't know.

5. Let's _____. She is always late.

- (A) not wait for Mary (B) wait not for Mary (C) don't wait for Mary (D) not wait Mary

6. It's _____ CD. I'm her music lover.

- (A) they (B) the composer's (C) your (D) my

7. _____ is my boyfriend.

- (A) The cute boys (B) These thin boy (C) This man is short (D) That tall man

8. A: Who _____ in the living room? B: My brothers are.

- (A) is (B) am (C) are (D) be

9. A: Today I am not lucky because my car is lost (丟掉了). B: _____.

- (A) I'm sorry (B) You are lucky (C) Very good (D) Nice to meet you

10. A: This movie is very good. Can (能夠) you go to the movie theater with me? B: _____ I can go with you.

- (A) I have to do my homework. (B) Why? (C) Why not? (D) It's impossible (不可能).

11. Tom, _____ a good student.

- (A) is (B) am (C) are (D) be

12. Brian and I are _____ here.

- (A) to (B) X (C) about (D) at

13. Kelly and Joy are those _____ friends.

- (A) man's (B) mans (C) men's (D) men

14. A: Is that puppy white or black? B: _____.

- (A) Yes, it is (B) No, that's not (C) Black (D) That's my favorite puppy

15. A: Sir, I want (想要) to buy the red cellphone. B: _____

- (A) Good choice. (B) Just kidding! (C) Come on! (D) Hurry up!

三、從四個選項中，選出一句正確句。(10%，每題二分)

1. (A) Jimmy is a eight-year-old boy. (B) I have homework to do tonight. (C) She is from the Australia. (D) Its a new bicycle.
2. (A) Peter, are you a good salesman? (B) I'm from Taiwan, Tainan. (C) This is a boy's school. (D) They are musics lovers.
3. (A) Please look your teacher. (B) Please not stand up. (C) Jimmy, turn off your cellphone please. (D) The theater is too special.
4. (A) Let's hurry and quiet. (B) Bring me some money tomorrow. (C) I have a date with she. (D) I play the basketball at school.
5. (A) The girl is short, and the boy is tall. (B) Where are your boyfriend from? (C) David and I aren't English teachers.
(D) This's a good show.

四、閱讀測驗。(20%，每題二分)

(一)

Melody plays the piano every day. Her neighbor, James, doesn't like it because she doesn't play well. One day, James talks to Melody:

James: Do you play the piano?

Melody: Sure, I do. I am good at **it**. I am wonderful, right?

James: I think you can go to the TV show and play the piano for everyone.

Melody: So I am wonderful. Thank you! I am so happy.

James: Oh! If you play the piano on TV, I can turn off the TV, not listening to it. But if you play it at home, I have to listen. It's **awful**.

1. What does **it** mean?

- (A) TV show (B) playing the guitar (C) playing the piano (D) turning off the TV

2. What does the word **awful** mean (意思)?

- (A) bad (B) good (C) cool (D) young

3. How does James like Melody's playing the piano?

- (A) He doesn't like Melody's piano. (B) He likes it very much. (C) He doesn't like her playing the piano at all. (D) We don't know.

(二)



Types(票種)	Qualification(適用對象)	Price(票價)
Adult(成人)	Adult men or women	NT\$300
Discounted	Students	NT\$200
Seniors	Senior men or women (65 years old and over)	NT\$150
Free	Children under 6 years of age or 115 cm	NT\$ 0

4. Benjamin (13 years old) will go to the Flora Expo (花博) with his family. There are five people in his family: grandmother (68 years old), father (38 years old), mother (37 years old), and his brother, Sam (5 years old). How much money will they pay for the tickets?

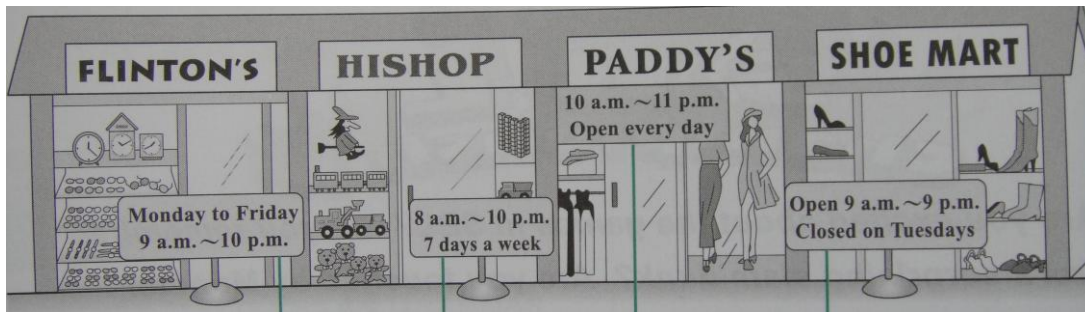
- (A) 1450 (B) 1250 (C) 1050 (D) 950

5. Where is the 2010 Flora Expo?

(A) Tainan (B) Taipei (C) Taichung (D) Taitung

(三)

There are four stores near the Jones' family. Look at them and answer the questions. (96 年第一次基測試題)



6. Mr. Jones is going shopping on Tuesday evening. How many of these stores can he go to?

(A) One (B) Two (C) Three (D) Four

7. On Friday morning, Mrs. Jones bought a present for her boss at eight thirty on her way to work. Which of the stores did she go to?

(A) FLINTON'S (B) HISHOP (C) PADDY'S (D) SHOEMART

(四)

B&W Cellphone Shop

New CP9800 & CP9801



◆ Special Price (價錢) : 40% off

◆ Date: Nov. 29 ~ Dec. 5

◆ What can you do with CP9800 & CP9801:

- ★ Listen to the radio
- ★ Play online games
- ★ Take pictures
- ★ Watch videos
- ★ Send music to other cellphones

◆ Business Hours: 8:00 a.m.~10:00p.m., Mon. ~ Fri.

10:00 a.m.~10:00p.m., Sat. & Sun.

◆ TEL: (02) 2266-2266



8. The CP9801 is NT\$ 6,000 before the sale (特價) . If Alex buys it now, how much money would she save (省下來)?

(A) NT\$ 600 (B) NT\$ 12,00 (C) NT\$ 1,800 (D) NT\$ 2,400

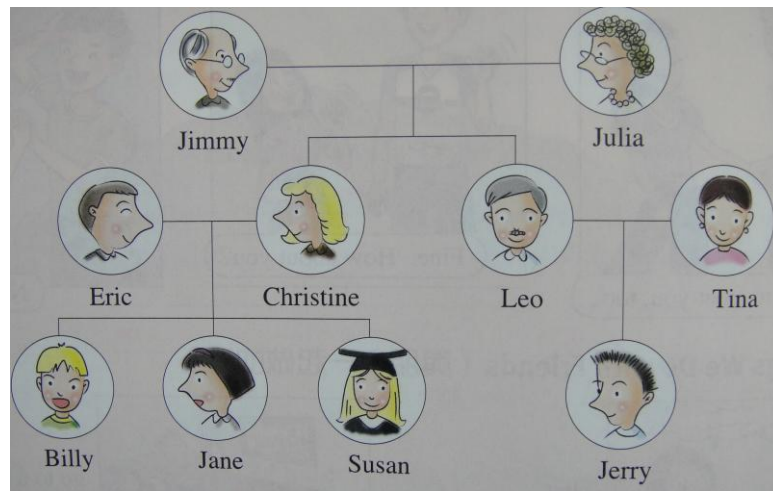
9. Which is true (正確) ?

(A) CP9800 is an old cellphone, and CP9801 is a new one. (B) The sale is from November 29 to December 29.

(C) The shop opens five hours a day.

(D) With CP9801, you can share music with other people.

(五)



Hi! My name is Billy. My father is an engineer, and my mom is a teacher. I have two sisters. They are seven years old. They are so cute. My cousin(表哥), Jerry, is ten years old. His dad is a doctor and his mom is a nurse. My grandfather is a good cook. He always cooks a big dinner for us.

10. Which is true?

- (A) Leo and Christine are brother and sister. (B) Tina and Christine are sisters.
(C) Billy is Eric's father. (D) Jimmy is an engineer.

五、依提示作答。(10%，每題二分)

1. How old are you? (據實回答，數字請寫英文)
2. I am from Taiwan. (依畫線處造原問句)
3. This watch is good. (以 This is ...重寫整句)
4. May Day is a band. It is cool and nice. (兩句合併成一句)
5. Lucy, sit down, please. (以 Please ...重寫整句)

六、中翻英。(10%)

1. A: Jack 不是在家嗎? B:對呀!他不在。(2%)
2. 那位胖男生是你同學嗎?(2%)
3. 電腦是寫作業的好工具。(3%)
4. 咱們打電話給 Fanny 一起去看電影吧!(3%)